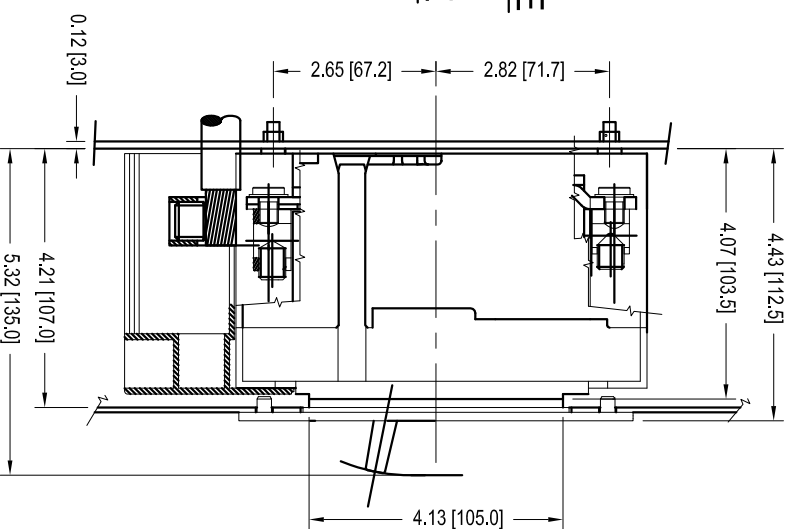
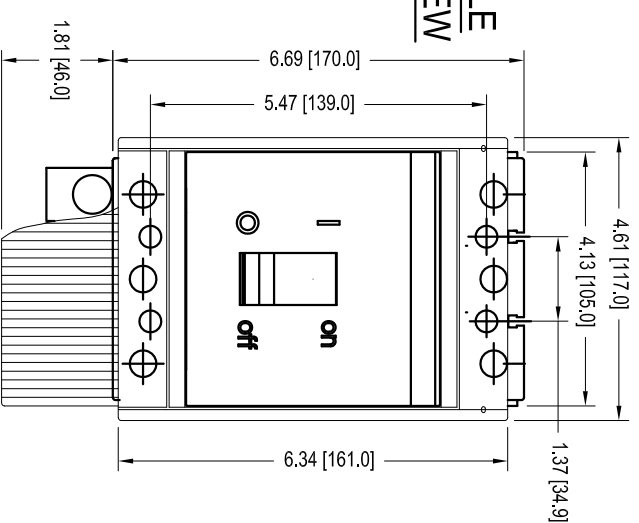


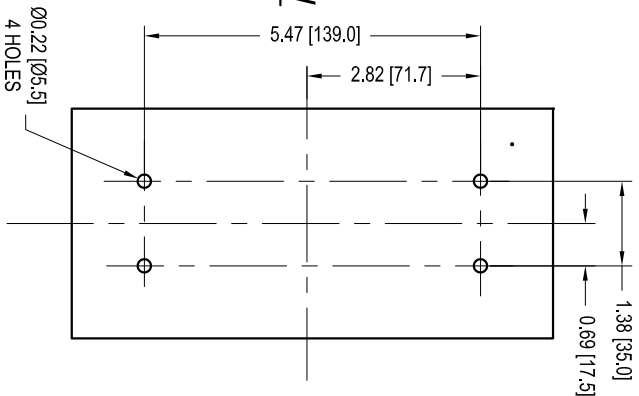
**TS3 3 & 4 POLE  
SIDE VIEW  
WITH FLANGE**



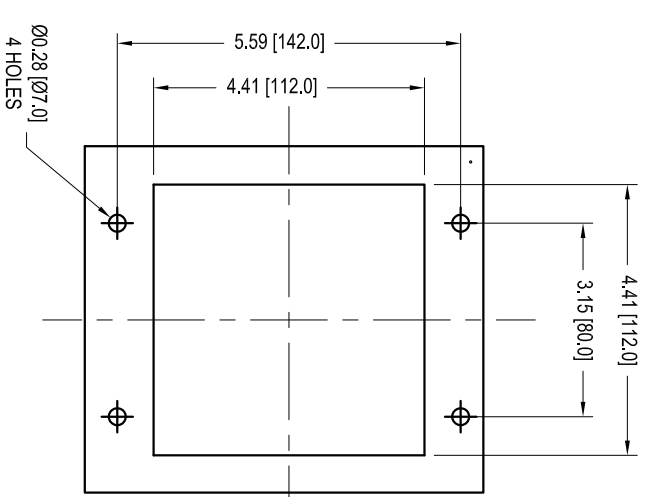
**TS3 3 POLE  
FRONT VIEW**



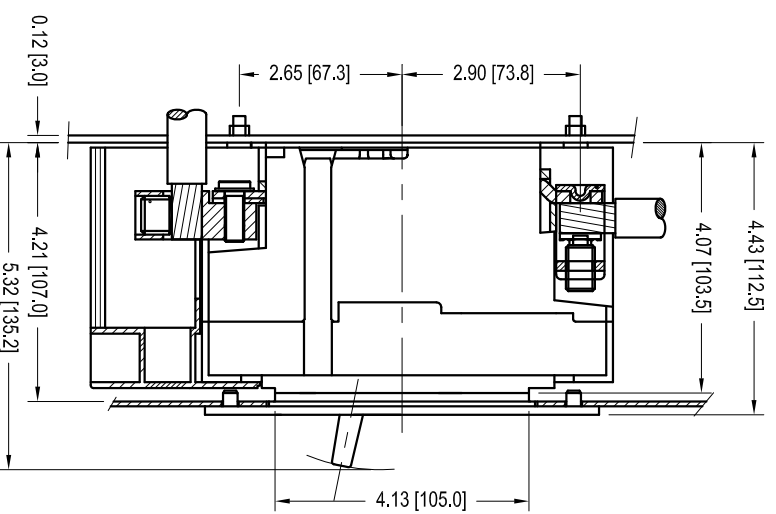
**TS3 3 POLE  
DRILLING  
FRONT VIEW**



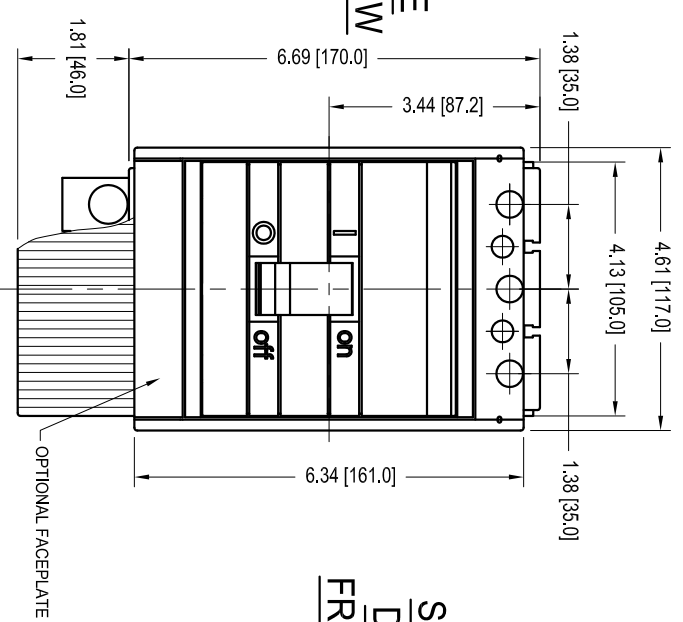
**TS3 3 & 4 POLE  
DOOR CUTOUT**



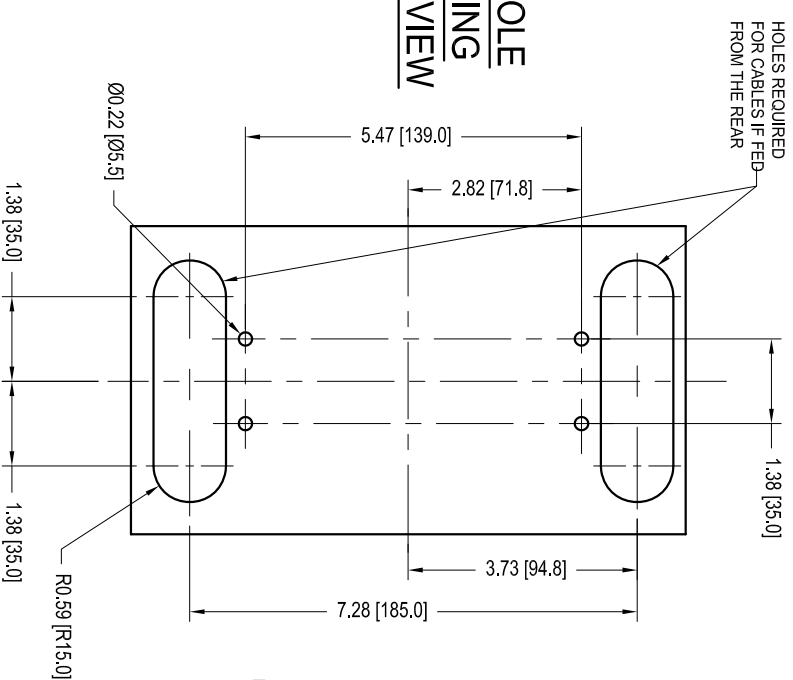
**S3 3 & 4 POLE  
SIDE VIEW  
WITH FLANGE**



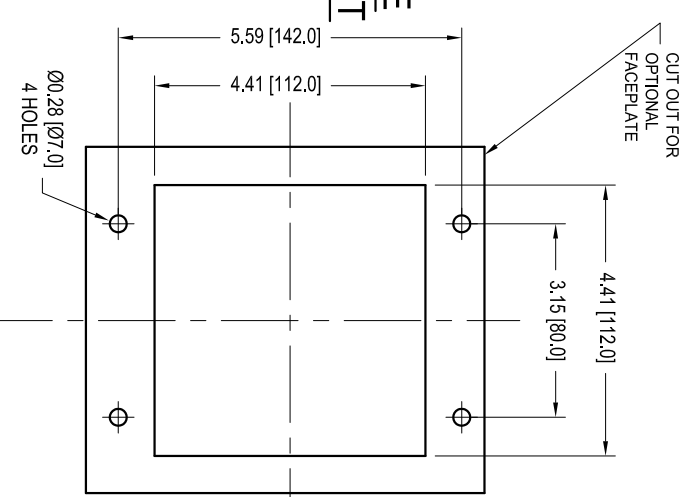
**S3 3 POLE  
FRONT VIEW**



**S3 3 POLE  
DRILLING  
FRONT VIEW**



**S3 3 & 4 POLE  
DOOR CUTOUT**



DRAWING NUMBER  
D 2202 9000-018

REV. LET.	REVISIONS	DATE	REV. OR APPD. BY	REV. LET.	REVISIONS
				B	ADDED TERMINAL COVER TO TS3
				TSP	
		5/7/08			

THIS DRAWING IS THE PROPERTY OF ABB Inc. AND CONTAINS PROPRIETARY AND CONFIDENTIAL INFORMATION WHICH MUST NOT BE DUPLICATED, USED OR DISCLOSED WITHOUT THE AUTHORIZATION BY ABB Inc.



DATE	4/3/08
DRAWN BY	TSP
CHK'D	
PROJECT NO.	
SHEET	1
OF	

REV.	B	TITLE	TMAX TS3 vs ISOMAX S3
SIZE	B	DIMENSIONS AND MOUNTING	
DRAWING NUMBER	D 2202 9000-018		

CUST